



SERVICE PARK

FACILITIES ORDER FORM 2020

PLEASE COMPLETE IN BLOCK CAPITALS

Completed forms should be emailed to

The Service Park Manager Anthony Gatei anthony@safarirally.co.ke by **2nd June 2020**.

Contact Details

| | |
|---------------------|--|
| Team / Organisation | |
| Contact Name | |
| Mobile No. | |
| Email | |

A

Additional Space in Service Park

For additional space required above area allocated:

| | |
|-----------------------|---------|
| WRC for Manufacturers | 65 x 20 |
| WRC 2 | 10 x 10 |
| WRC 3 | 10 x 10 |

| | Quantity |
|--|----------|
| € 30.00 per square metre (m ²) | |

Allocated on availability of space.

Layout

It is recommended that a layout of the service area is emailed to The Service Park Manager as soon as possible, to ensure proper placement of the sea freight containers and other features within the allocated area. (minimum print A3 format)



B

| Description | Quantity | Number of Days |
|---|----------|----------------|
| Extra Portable Chemical Toilet <i>Serviced once a day **</i> | | |
| Water Supply – Direct Connection | | |
| Waste Water Tank 1,000 Lts | | |
| Crowd Barriers (Approx. 2metre long) | | |
| Ballast Weights - 200 kg | | |
| Dedicated Security per hour | | |
| Fencing and Gates (2metre long) | | |
| Crowd Barriers (2metre long) | | |
| Portable Light Towers | | |

C - Services

| |
|-----------------------------------|
| Additional Toilet Service |
| Removal of Waste Water / 1000 Lts |

Charged per service.

D

| | | |
|--|-----|----|
| Direct Cabled Internet Connections Available 14th to 19th July | Yes | No |
|--|-----|----|

Charged once for the period.



E

| Description | Quantity |
|---------------------|----------|
| Fork Lift (2.5 Ton) | |
| Scissors Lift | |
| Boom Lift | |

Charged at a flat rate between 10th to 20th July

Extra days will be charged

Fuel and daily service billed at the end of use.

F

| |
|--|
| Inquires for other equipment, site offices and gazebos below |
| |
| |
| |
| |
| |

G – Power - Available from 13th July to 19th July.

| Description | Quantity |
|--|----------|
| Single Phase – 1 Outlet 16A / 230V Single Phase | |
| 3-Phase - 1 Outlet 16A / 400V | |
| 3-Phase - 1 Outlet 32A / 400V | |
| 3-Phase - 1 Outlet 63A / 400V | |

Charged at a flat rate for the period

Connections before and after these dates can be requested at an extra cost.

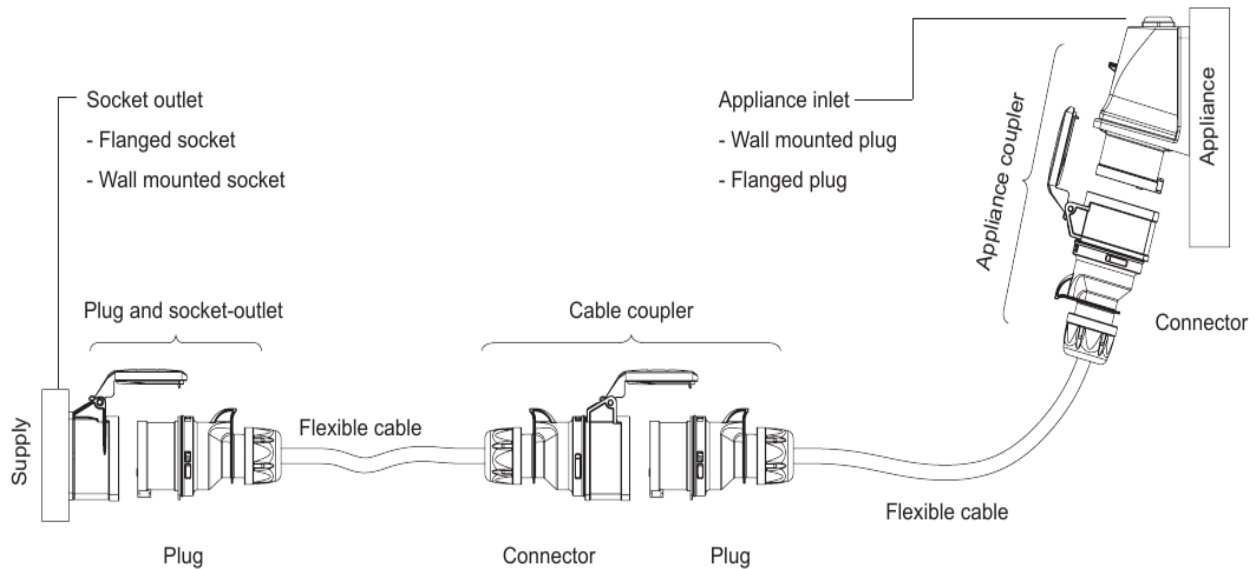


C – Generator Sets – Dedicated

| Description | Quantity | Days |
|-------------|----------|------|
| 15 Kva | | |
| 50 Kva | | |
| 75 Kva | | |
| 100 Kva | | |
| 150 Kva | | |
| 230 Kva | | |

Fuel and daily service billed at the end of use.

Power connections are by Cee Form Plugs Connectors (Illustrated below)



For other inquires email The Service Park Manager